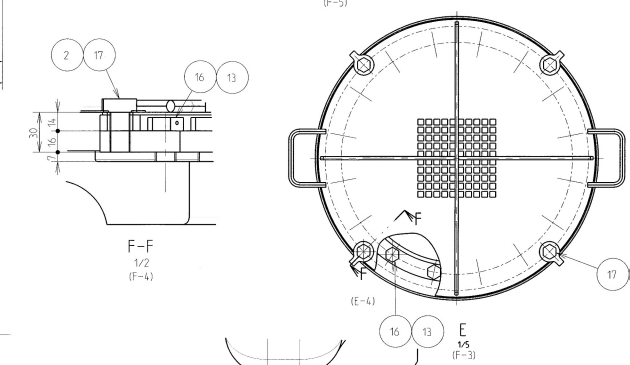
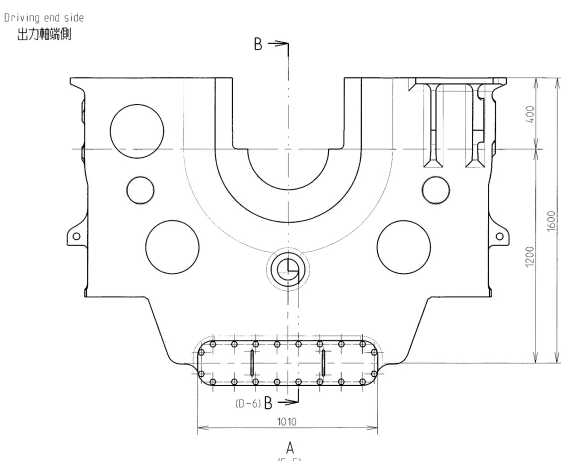
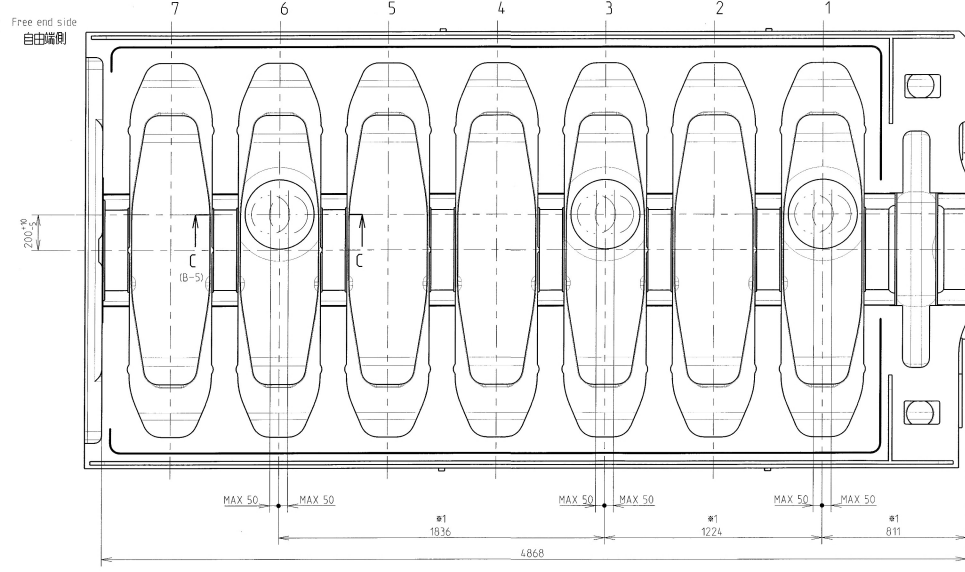
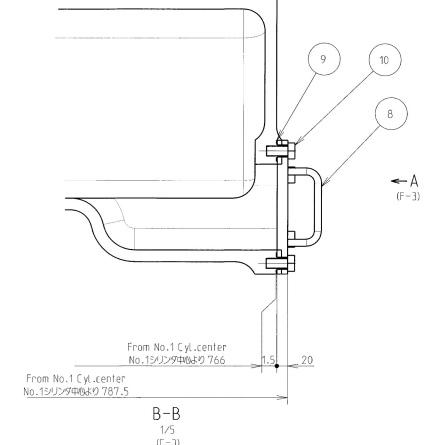
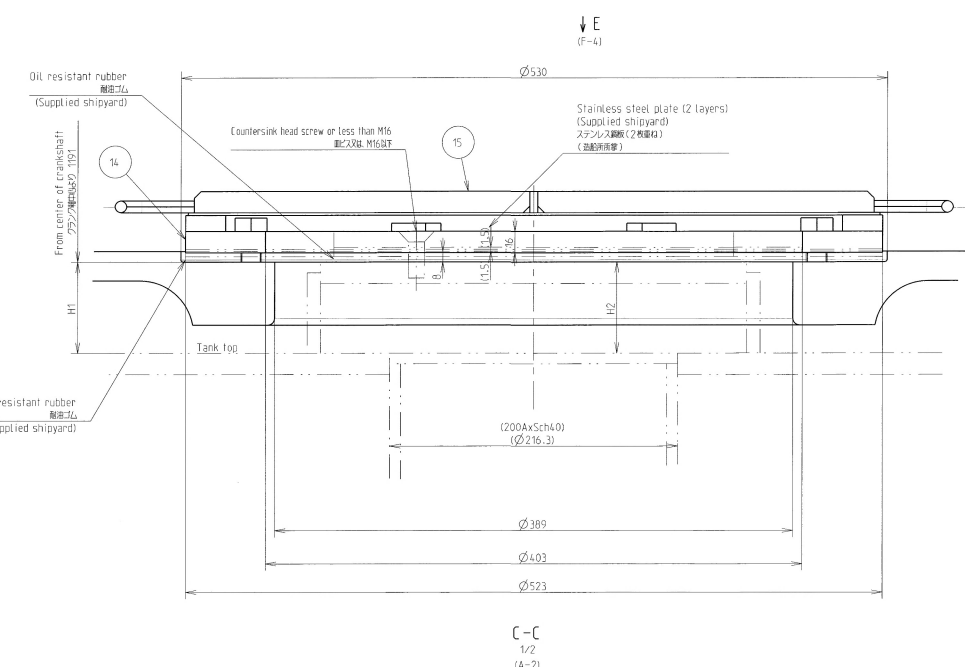


1st ANGLE PROJECTION		ISO METRIC SCREW THREADS	
REVISIONS			
NO.	DESCRIPTION	DATE	ZONE
1	床板油漏しの取付位置を、図面①～④に修正し、図面⑤～⑧を削除する。	2016-05-09	
PLAN RECORD			
PREVIOUS DRAWING		U1-1E124, U1-1E270	
For FC Bedplate			



備忘
 1. 本図記載の部品の内、符号①～④、⑩～⑫を除く品番は船所所管。
 2. 寸法H1、H2は台板取付後測定の上決定。
 3. 寸法H1、H2の差は2mm以内。
 Remarks
 1. All parts except ①～④、⑩～⑫ are supplied by shipyard.
 2. H1 and H2 are measured after placing and alignment of bedplate.
 3. The difference between H1 and H2 is to be less than 2mm.



基本図
 前図と引換えのこと

PART NO.	DESCRIPTION	MATERIALS	1-PIECE	TOTAL	QUANTITY PER SET
X7004.09.15	Bolt 六角ボルト M16×30	SS400	0.1	1.0	12
U1008.09.17	Hexagon Head Bolts With Wire Hole 六角頭六角ボルト M16×40	SS400	0.1	4.6	48
U1-1E374-01	Filter assembly こし網組立		7.9	23.7	3
U1-1E373-01	Retainer ring 取付リング	SS400	10.3	30.9	3
	Wire 線径φ1.6×S000L	SWMS1			1
U1010.11.17	10.9-Bolts 10.9六角ボルト M20×40	SECM150	0.2	3.3	20
U1-1E355-01	Seal パッキン	トヨチメ1995	0.2		1
U1-1E354-01	Blind flange 止りフランジ			37.8	1
X7195.08.01	Single tongued washer 片舌付平垫 M16	SPC		0.1	12
	Bedplate oil drain (VERTICAL) 台板油漏し取付部(縦取)			101.7	1

DRAWN		CHECKED		DATE		SCALE		DRAWING NO.		REV. NO.	
中野		中野		2015-08-25		1/15		U1-1E358		52-01	
DRAWN		DRAWN		SCALE		DRAWING NO.		REV. NO.		DATE	
中野		中野		1/15		U1-1E358		52-01		2015	

THIS DRAWING IS THE PROPERTY OF MITSUBISHI HEAVY INDUSTRIES MARINE MACHINERY & ENGINE CO., LTD. AND SHALL NOT BE REPRODUCED, NOR BE USED TO FORM ANY INSTRUMENTATION FOR MAKING DRAWINGS OR APPARATUS EXCEPT FOR THE CASE WHERE MITSUBISHI AGREES WITH WRITTEN MATERIALS.												
COMMON VARIATION TOLERANCE (H/M)	RATING OF DIMENSION	OVER 0.2 TO 0.6	OVER 0.6 TO 1.0	OVER 1.0 TO 1.70	OVER 1.70 TO 3.0	OVER 3.0 TO 10.0	OVER 10.0 TO 30.0	OVER 30.0 TO 100.0	OVER 100.0 TO 300.0	OVER 300.0 TO 1000.0	OVER 1000.0 TO 3000.0	OVER 3000.0 TO 10000.0
		±0.1	±0.2	±0.3	±0.5	±0.6	±1.2	±2.0	±3.0	±5.0	±7.5	±15.0

WELD SHALL COMPLY WITH JIS STANDARD. 溶接指示はJISに基づく。
 MATERIAL SHALL COMPLY WITH JIS STANDARD. 材料指示はJISに基づく。