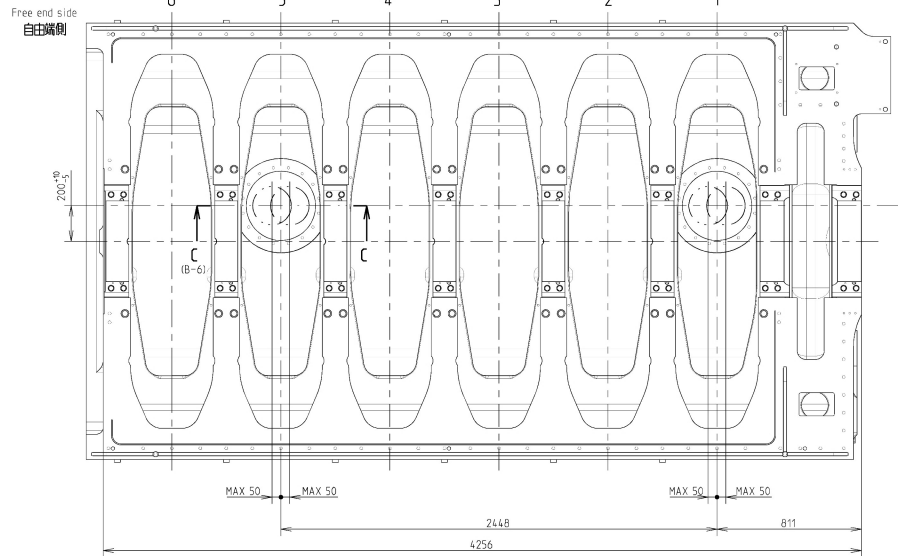
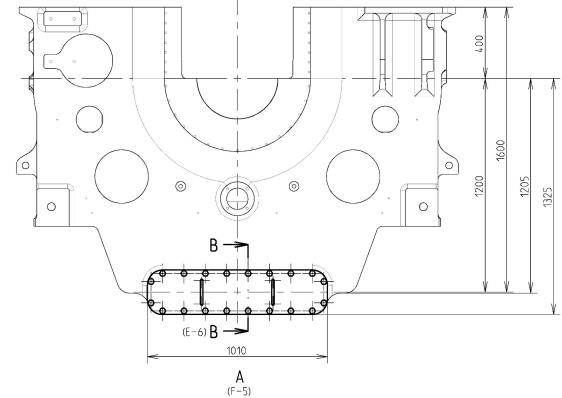


1



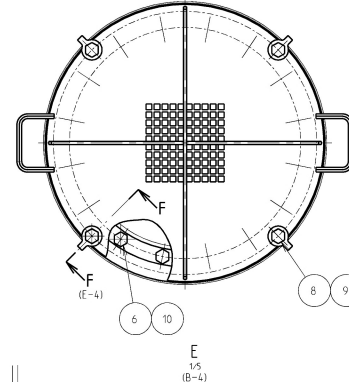
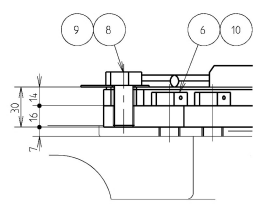
Driving end side 出力端側



REVISIONS		DATE	ZONE	APP. DRWG. ID.	CHK. DRWG. ID.	DRW. DRWG. ID.
A	UC 1152B	2019-07-02	全額	眞田	杉山	川村

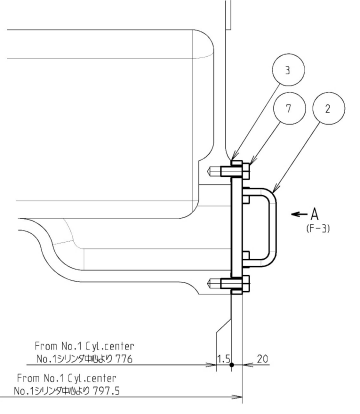
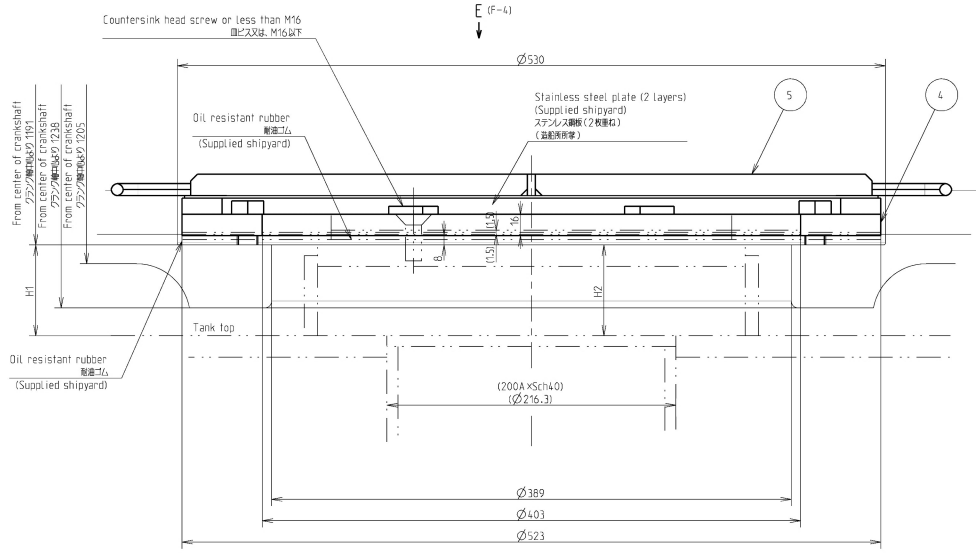
適用 適用 For FC Bedplate

- 備考
 1. 本図記載の部品の内、符号 ②~⑩は除く資材所保管。
 2. 寸法H1、H2は台板据付後計測の上決定。
 3. 寸法H1、H2の差は 2mm以内。
 Remarks
 1.All parts, except ②~⑩are supplied by shipyard.
 2.H1 and H2 are measured after placing and alignment of bedplate.
 3.The difference between H1 and H2 is to be less than 2mm.



折曲用にて使用する事 To be bended

Engine type	X: Applied
6UEC33LSE-C2	X
6UEC35LSE-Eco-B2	X
6UEC35LSE-Eco-C1	X
6UEC35LSE-B2	X
6UEC35LSE-C1	X



From center of crankshaft
From center of crankshaft
From center of crankshaft

Oil resistant rubber
(Supplied shipyard)

油抵抗性ゴム
(船政所供給)

COMMON VARIATION TOLERANCE (mm)	RATINGS OF NOMINAL DIMENSION	OVER 6 TO 30	OVER 30 TO 100	OVER 100 TO 400	OVER 400 TO 1000	OVER 1000 TO 2000	OVER 2000 TO 4000	OVER 4000 TO 8000	OVER 8000 TO 16000
PLM	TOLERANCE	±0.1	±0.2	±0.3	±0.5	±1.0	±2.0	±3.0	±5.0

THIS DRAWING IS THE PROPERTY OF JAPAN ENGINE CORPORATION AND SHALL NOT BE REPRODUCED, COPIED, USED TO REPRODUCE, ANY INFORMATION FOR MAKING DRAWINGS OR APPARATUS EXCEPT FOR THE CASE WHERE JAPAN ENGINE CORPORATION AGREES WITH THE PURCHASER.

PART NO.	NO.	DESCRIPTION	MATERIALS	QTY	PER SET	TOTAL	QUANTITY PER SET	出 発 先
	10	Wire 鋼金 φ1.6 X5000L	SWMG1				1	
	9	Single tongued washer 片持締結用金 M16	SPCC		0.1		8	
	8	Bolt 六角ボルト M16 X30	SS400	0.1	0.6		8	
	7	10.9-Bolts 六角ボルト M20 X4.0	SCM435Q	0.2	3.3		20	
	6	Hexagon Head Bolts With Wire Hole 鋼金付六角ボルト M16 X4.0	SS400	0.1	3.1		32	
	5	Filter assembly ろし網組立		7.9	15.8		2	
	4	Retainer ring 押えリング	SS400	10.3	20.6		2	
	3	Seal パッキン	トロンボ 10040995	0.2			1	
	2	Blind flange 隠しフランジ					37.8	1
	1	Bedplate oil drain (VERTICAL) 台板油流し要領皿 (垂直)					81.6	1

APPROVED	江戸	APPROVED	6UEC33/35LSE/-Eco		出 発 先
CHKD	中野	CHKD	Bedplate oil drain (VERTICAL)		出 発 先
DRWN	眞田	DRWN	台板油流し要領皿 (底流し)		生 産