

PREVIOUS DRAWING		U1-0E098	
REVISIONS			
NO.	LC NO.	DESCRIPTION	DATE

鋸物台板

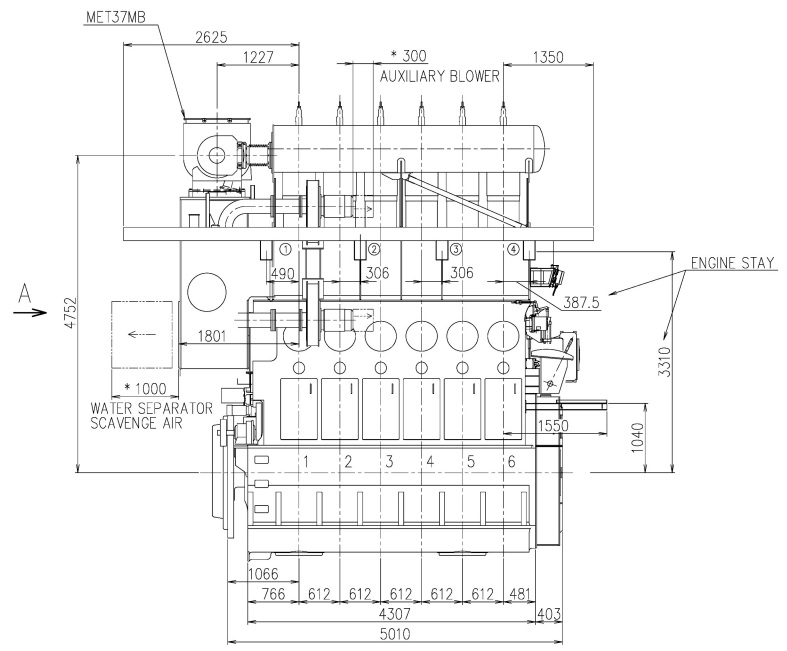
← 防振ステー配置可能位置  
← POSITION OF ENGINE STAY

ENGINE STAY TYPE	①	②	③	④	TOTAL	DRAWING NO.
FRICITION CASE1	○	○	○	○	4	U2-1E001
FRICITION CASE2	○	○	○	○	2	

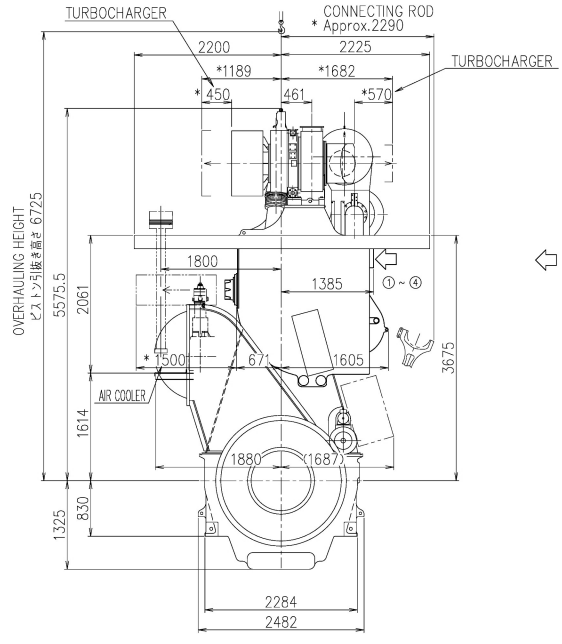
\*SPACE FOR REMOVAL  
開放スペース

A B C D E F G H A1

1



EXHAUST SIDE  
排気側より見る

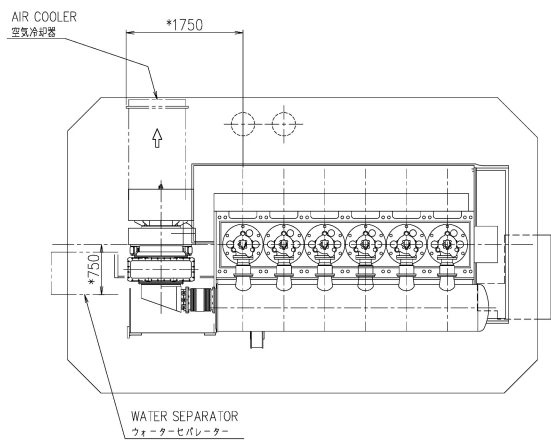


A  
DRIVING END  
出力軸端より見る

2

3

4



TOP VIEW  
平面図

5

6

COMMON VARIATION OF TOLERANCE (M/M)	RATINGS OF NOMINAL DIMENSION	OVER 0.5 TO 3	OVER 3 TO 120	OVER 120 TO 400	OVER 400 TO 1000	OVER 1000 TO 2000	OVER 2000 TO 4000	OVER 4000 TO 8000	OVER 8000 TO 16000
		±0.1	±0.2	±0.3	±0.5	±0.8	±1.2	±2.0	±2.0

THIS DRAWING IS THE PROPERTY OF JAPAN ENGINE CORPORATION AND SHALL NOT BE REPRODUCED, NOT BE USED TO FURNISH ANY INFORMATION FOR MAKING DRAWINGS OR APPARATUS EXCEPT FOR THE CASE WHERE JAPAN ENGINE CORPORATION AGREES WITH WRITTEN MATERIALS.

1	ENGINE OUTLINE VIEW 機関全体外形図								
PART NO.	MARK	DESCRIPTION	MATERIALS	QTY	PIECE WEIGHT	TOTAL WEIGHT	QUANTITY PER SET		
開発部	APPROVED	6UEC33LSE-C2							出図先
江下		ENGINE OUTLINE VIEW (MET37MB×1)							伝達
吉川	CHECKED	機関全体外形図 (MET37MB×1)					1/1		追加
吉川	DRAWN						00-00		生計
1st ANGLE PROJECTION	DATE DRAWN	2020-09-08	DRAWING NO.	U1-0E106	REVNO.				校計
	SCALE	1/40							

Web site comply with JIS (Japan Industrial Standards) Material shall comply with JIS unless otherwise specified. JAPAN ENGINE CORPORATION