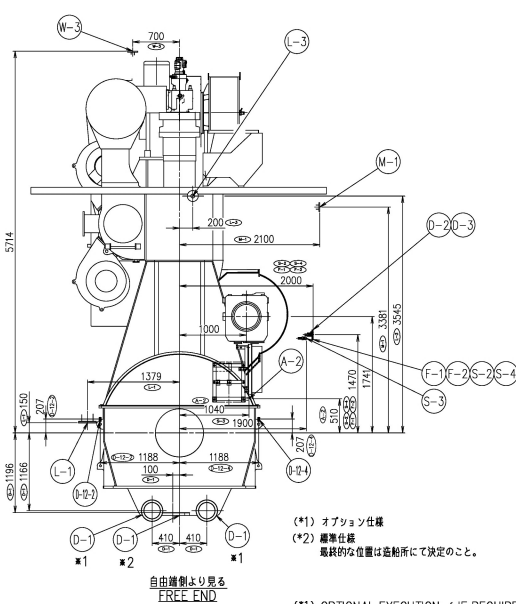
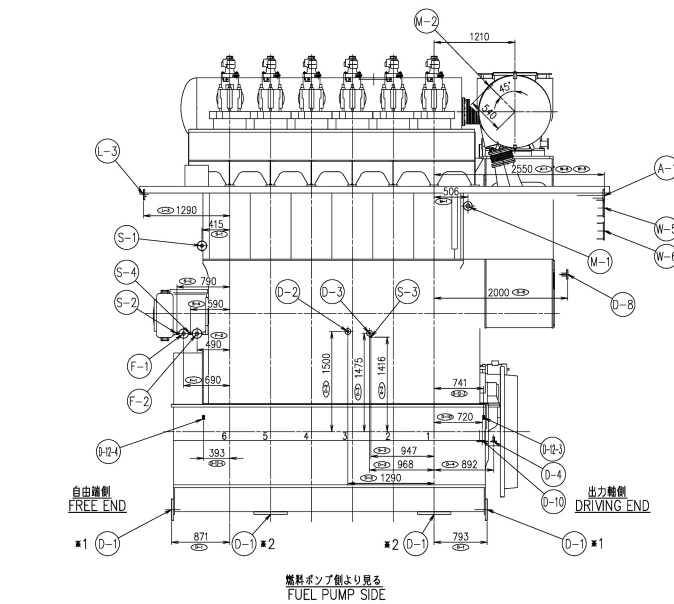
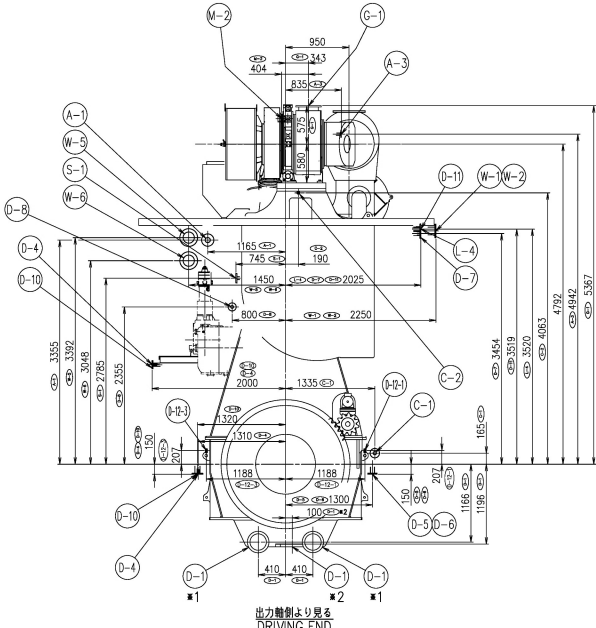
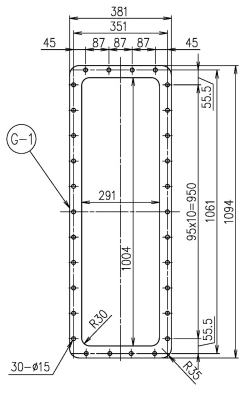
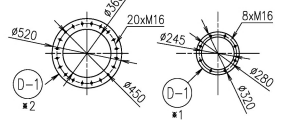
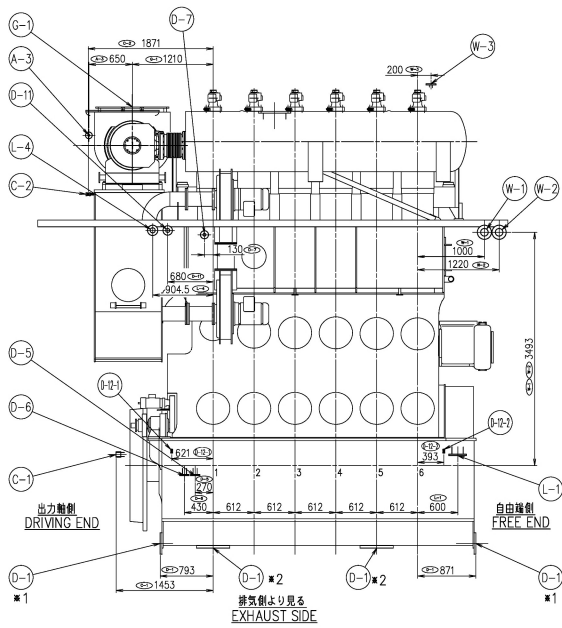


UC12825 D-12-1~D-12-4追加, 2020.11.20 企画 今中 吉川

REVISED	UNDER 1.0	UNDER 2.0	UNDER 3.0	UNDER 4.0	UNDER 5.0	UNDER 6.0	UNDER 7.0	UNDER 8.0	UNDER 9.0	UNDER 10.0	PREVIOUS DRAWING
0	0	0	0	0	0	0	0	0	0	0	0-107.432.349/-
REVOLUTIONS											
NO.	UC NO.	DESCRIPTION	DATE	ZONE	APP. PROJ. ID.	CHECKED	DRAWN				
1		配管の取り合い位置を全面変更。 (A-3C-1, D-1, L-1, G-1, W-1-1-6) 最終機MET42MBとMET42MB変更。 W-1を追加。 河本	2013.6.13	G-1 G-5 D-3		江戶	上月				
2		機蓋フレーム変更。 A-2位置を変更。	2018.6.15	G-4 E-2 F-5		青田	木下 吉川				



(\*) オプション仕様  
(\*\*) 標準仕様  
最終的な位置は造船所にて決定のごと。

(\*) OPTIONAL EXECUTION (IF REQUIRED)  
(\*\*) STANDARD EXECUTION  
FINAL POSITION TO BE DETERMINED IN ACCORDANCE WITH SHIPYARD.

GENERAL WATER	STEAM	MIST	DRAIN	*1,*2	LUBRI-CATING OIL	FUEL OIL	FRESH WATER	AIR	SYSTEM MARKS
G-1									
G-2									
C-1									
S-4									
S-3									
S-2									
S-1									
M-2									
M-1									
D-12-1									
D-11									
D-10									
D-8									
D-7									
D-6									
D-5									
D-4									
D-3									
D-2									
D-1									
L-4									
L-3									
L-1									
F-2									
F-1									
W-6									
W-5									
W-3									
W-2									
W-1									
A-3									
A-2									
A-1									
SYSTEM MARKS									
NAME									
PRESS MP a									
PIPE SIZE									
CONNECTION FLANGE									

Arrangement of pipe connection		諸管接続配置図		6UEC35LSE-B2/C1	
PART NO.		DESCRIPTION		ARRANGEMENT OF PIPE CONNECTION	
MARK		MATERIALS		諸管接続配置図 (MET42MB×1)	
QUANTITY PER SET		WEIGHT (kg)		1/1	
00-00		00-00		00-00	

COMMON VARIATION OF TOLERANCE (OVER/UNDER)	RATINGS OF NORMAL DIMENSION (M/M)	OVER ±0.1	OVER ±0.2	OVER ±0.3	OVER ±0.5	OVER ±0.8	OVER ±1.2	OVER ±2.0	OVER ±2.0	OVER ±2.5

THIS DRAWING IS THE PROPERTY OF JAPAN ENGINE CORPORATION. AND SHALL NOT BE REPRODUCED, NOT BE USED TO FURNISH ANY INFORMATION FOR MAKING DRAWINGS OR APPARATUS EXCEPT FOR THE CASE WHERE JAPAN ENGINE CORPORATION AGREES WITH WRITTEN MATERIALS.