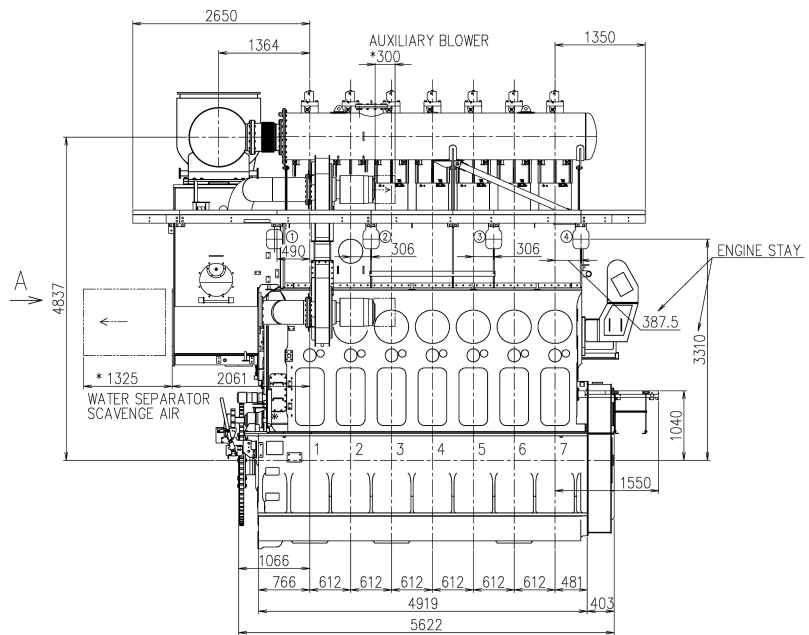
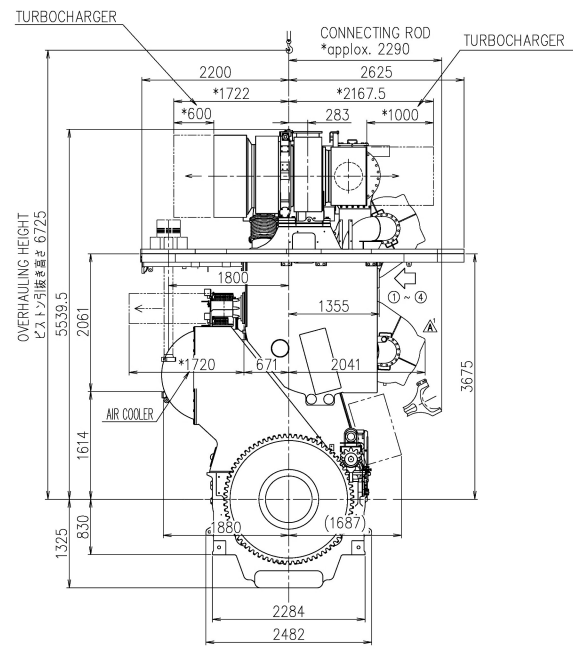


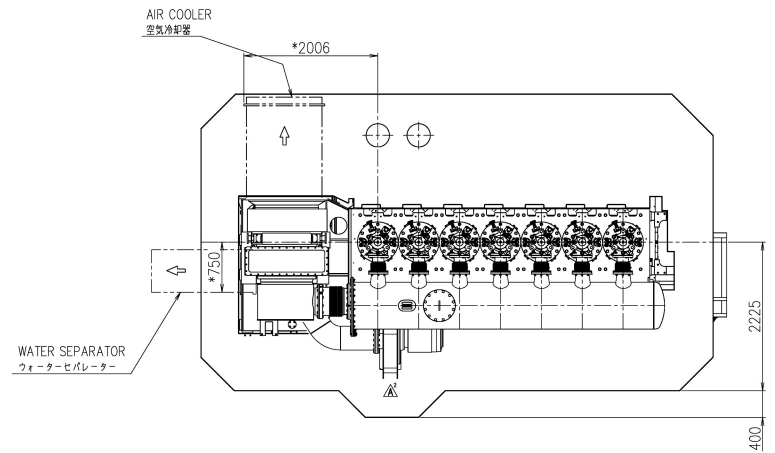
SURFACE FINISH		HAIRLINE	UNDER 1.6	UNDER 6.3	UNDER 25	UNDER 100	UNDER 250	UNDER 500	UNDER 1000	PREVIOUS DRAWING	U1-0E07
REVISIONS											
NO.	UC NO.	DESCRIPTION	DATE	ZONE	APP. PROVIDED	CHECKED	ED.	DRAWN			
A2	UC12335	A/日を大形化した。	2020.1.17	C-5 F-2	木下	吉川	甘利				



EXHAUST SIDE
排気側より見る



A
DRIVING END
出力軸端より見る



PLAN
平面図

↑ : 防振ステー配置可能位置
↑ : POSITION OF ENGINE STAY

ENGINE STAY TYPE	①	②	③	④	TOTAL	DRAWING NO.
FRICION CASE1	○	○	○	○	4	U2-1E077
CASE2	○	○	○	○	2	U2-1E001

*SPACE FOR REMOVAL
開放スペース

COMMON VARIATION OF TOLERANCE (MACHINE)	RATIOS OF NOMINAL DIMENSION	OVER 0.5 TO 6	OVER 6 TO 30	OVER 30 TO 120	OVER 120 TO 400	OVER 400 TO 1000	OVER 1000 TO 2000	OVER 2000 TO 4000	OVER 4000 TO 8000	OVER 8000 TO 16000
TOLERANCE (mm)		+0.1	+0.2	+0.3	+0.5	+0.8	+1.2	+2.0	+2.0	+2.5

THIS DRAWING IS THE PROPERTY OF JAPAN ENGINE CORPORATION, AND SHALL NOT BE REPRODUCED, NOT BE USED TO FURNISH ANY INFORMATION FOR MAKING DRAWINGS OR APPARATUS EXCEPT FOR THE CASE WHERE JAPAN ENGINE CORPORATION AGREES WITH WRITTEN MATERIALS.

1 ENGINE OUTLINE VIEW		機輿全体外形図										
PART NO.	MARK	DESCRIPTION	MATERIALS	IN-RECEIPT	TOTAL	WEIGHT (kg)	QUANTITY PER SET	出図先 会社 組立 機輿 生計				
開発部	吉川	7UEC35LSE-B2/C1						機輿全体外形図 (ME148MB×1)				
APPROVED	吉川	CHECKED	園村	DRAWN	Daniel	DATE	2019-04-23	DRAWING NO.	U1-0E076		REV. NO.	00-00
1st ANGLE PROJECTION		SCALE		1:40						A		探計
<small>Will shall comply with JIS (Japan Industrial Standard). Material shall comply with JIS unless otherwise specified.</small>												