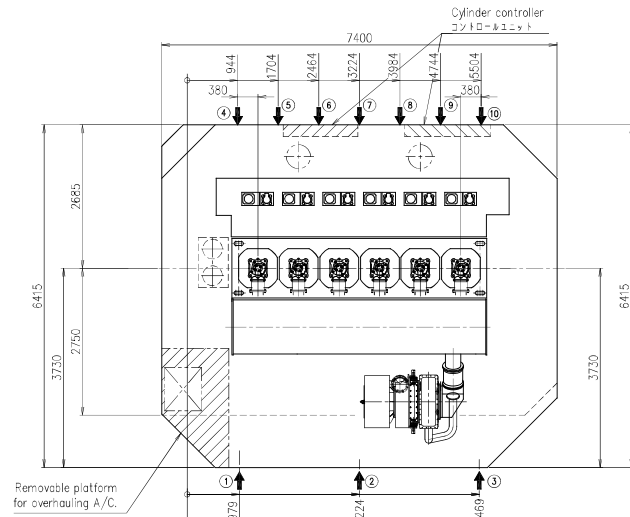


PREVIOUS DRAWING U1-0M08,010	
REVISIONS	
NO.	DATE
A2	2021.7.21
B2	2021.12.14

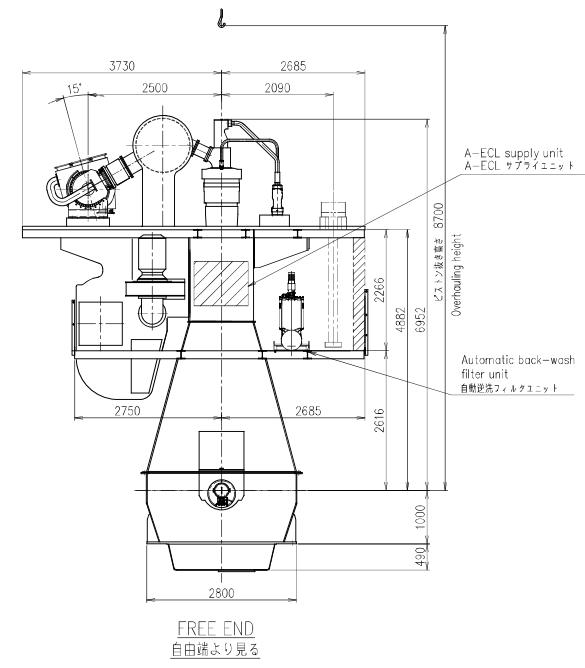
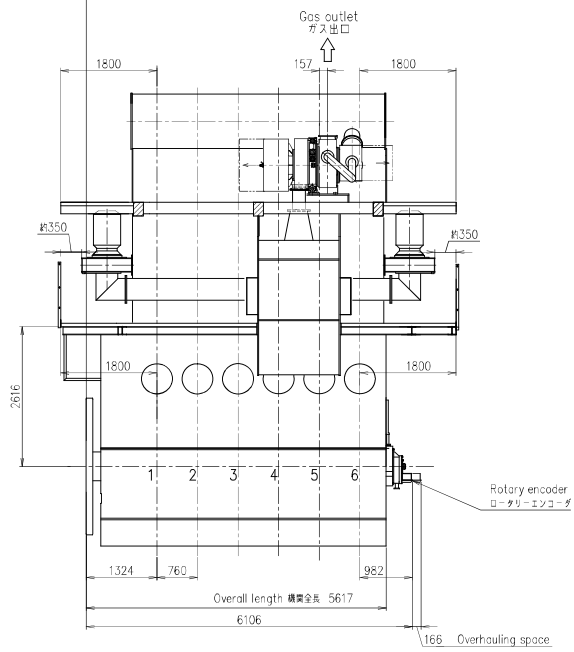
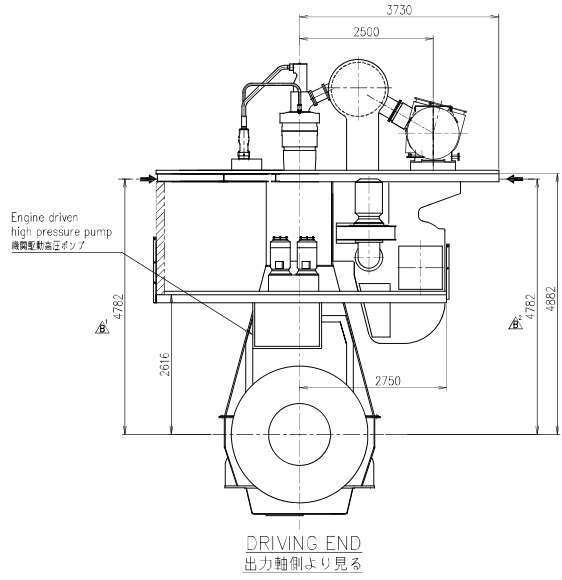


Position of engine stay attachment.
← : 防振ステー配置位置

Type	Total	Exh. side										Pump side									
		1	2	3	4	5	6	7	8	9	10	1	2	3	4	5	6	7	8	9	10
CASE1	Friction	3	○	○	○	○	○	○	○	○	○	○	○	○	○	○	○	○	○	○	○
CASE2	Hydraulic	4	○	○	○	○	○	○	○	○	○	○	○	○	○	○	○	○	○	○	○
CASE3	Friction	4	○	○	○	○	○	○	○	○	○	○	○	○	○	○	○	○	○	○	○
CASE4	Friction	3	○	○	○	○	○	○	○	○	○	○	○	○	○	○	○	○	○	○	○
CASE5	Friction	4	○	○	○	○	○	○	○	○	○	○	○	○	○	○	○	○	○	○	○

○: Standard position
△: Optional position
Optional position can be applied as below.
⑦ → ⑥ or ⑧
⑥ → ⑤ or ⑦
⑧ → ⑦ or ⑨

PLAN 平面図



COMMON VARIATION OF TOLERANCE (MIN/M)	RATINGS OF NOMINAL DIMENSION (mm)	OVER 0.5 TO 3	OVER 3 TO 10	OVER 10 TO 30	OVER 30 TO 100	OVER 100 TO 200	OVER 200 TO 400	OVER 400 TO 800	OVER 800 TO 1600
TOLERANCE		+ 0.1	+ 0.2	+ 0.3	+ 0.5	+ 0.8	+ 1.2	+ 2.0	+ 2.5

THIS DRAWING IS THE PROPERTY OF JAPAN ENGINE CORPORATION AND SHALL NOT BE REPRODUCED, NOT BE USED TO PURSUE ANY INFORMATION FOR MAKING DRAWINGS OR APPARATUS EXCEPT FOR THE CASE WHERE JAPAN ENGINE CORPORATION AGREES WITH WRITTEN MATERIALS.

1 GENERAL ARRANGEMENT (OUTLINE) 全体装置外形図		DATE DRAWN: 2020-12-03		DRAWING NO: U1-0M015		SCALE: 1/50		REVISION: B			
PART NO.	WORK	DESCRIPTION	MATERIALS	QUANTITY	TOTAL	MODIFY (qty)	QUANTITY PER SET				
奥島部	江戸	木下	鹿堂, 岡村	6UEC42LSH-Eco GENERAL ARRANGEMENT (OUTLINE) 全体装置外形図 (MET37MB x 1)						1/1	00-00
APPROVED	APPROVED										
CHECKED	CHECKED										
DRAWN	DRAWN										